

Stabbing Guide

Applications

- Tubulars from 4-1/2 to 20 in.
- Pin – up drill string connections
- Long and two-stage premium drill pipe connections

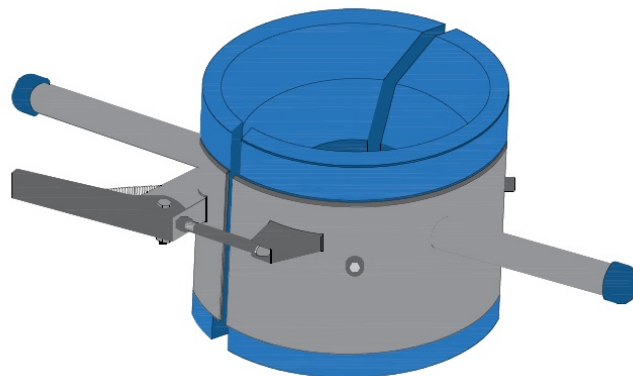
Features and Benefits

- The stabbing guide improves control while consistently aligning and safely guiding two pipe sections together, which reduces pin- or box thread damage.
- The quality-engineering nylon shell and stainless-steel collar increase durability, minimize maintenance and thereby extend the life of the tool.
- Large, positive-grip handles keep hands clear of stabbing connections, which provides an extra margin of safety while enabling personnel to control the connection.
- The latching mechanism has a simple design for ease of use when latching onto and disengaging from the pipe.
- The versatile stabbing guide is compatible with a range of casing sizes and connections.

LEOS stabbing guide is used to align two joints of drill pipe, casing, or tubing. Consistent alignment increases the speed of connections and reduces thread-related downtime. The stabbing guide also enhances pipe-handling safety for drilling-floor personnel by decreasing the risk of damage to the tubular connection threads, bail arms, or single-joint elevator, which could result in dropped object from the derrick.

The stabbing guide consist of a stainless-steel collar and poly that minimizes metal-on-metal shock, which can cause major damage to box or pin thread or to the seal surface.

LEOS also offers stabbing-guide shells for pin-up drill strings and for breakout of long and two-stage premium drill pipe connections. These shells prevent the pin thread from hooking in the box thread during break out. Both the pin-up and breakout shells will fit the standard stainless-steel bodies.



LOR Engineering Oilfield Services Pte Ltd

(Workshop) 25B Loyang Crescent, Loyang Offshore Supply Base

Blk 302 TOPS Ave 3 #01-08 Singapore 506817

(Website) www.loreng.com